

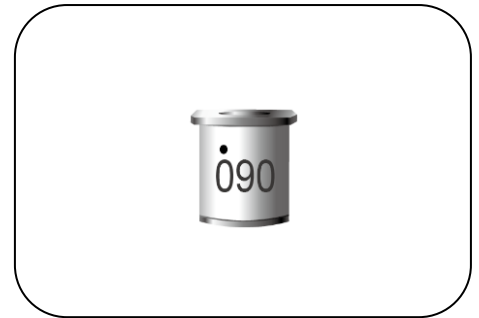
Gas Discharge Tube: GS3 Series

SMD 2-Electrode $\Phi 2.8 \times T3.5$ mm Type



■ Features

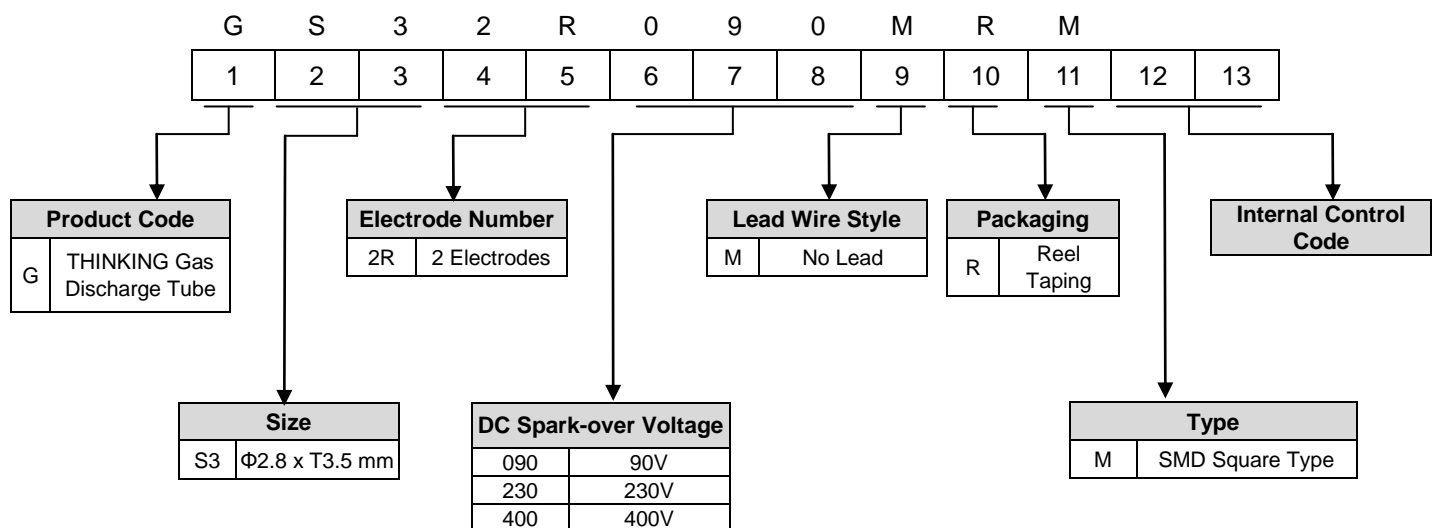
1. RoHS & HF compliant
2. SMD type series
3. DC spark-over voltage: 90~400V
4. Low capacitance
5. Agency recognition: UL
6. Operating temperature: $-40^{\circ}\text{C} \sim +105^{\circ}\text{C}$
Storage temperature: $-40^{\circ}\text{C} \sim +115^{\circ}\text{C}$



■ Recommended Applications

1. Cable modem
2. xDSL
3. Set-top box
4. TV sets
5. Power supply
6. Consumer electronics

■ Part Number Code



Gas Discharge Tube: GS3 Series

SMD 2-Electrode $\Phi 2.8 \times T3.5$ mm Type



■ Characteristics

Part No.	DC Spark-over Voltage	Maximum Impulse Breakdown Voltage		Max. Impulse Discharge Current (8/20 μ s)	Impulse Life (10/1000 μ s)	Normal Alternating Discharge Current	DC Holdover Voltage	Minimum Insulation Resistance	Maximum Capacitance (1MHz)	Safety Approvals
	100V/S	100V/ μ s	1KV/ μ s	10 times	100A	50Hz, 1Sec	<150ms			
	(V)	(V)	(V)	(KA)	(次)	(A)	(V)			
GS32R090MRM	90 \pm 20%	500	600	1	300	1	50	1	0.5	√
GS32R120MRM	120 \pm 20%	600	700				80			√
GS32R150MRM	150 \pm 20%	600	700				80			√
GS32R200MRM	200 \pm 20%	600	700				135			√
GS32R230MRM	230 \pm 20%	600	700				135			√
GS32R250MRM	250 \pm 20%	600	700				135			√
GS32R350MRM	350 \pm 20%	750	900				135			√
GS32R400MRM	400 \pm 20%	850	1000				135			√
GS32R470MRM	470 \pm 20%	900	1100				135			√

Note1: M is for SMD round type

Note2: UL 497B File No: E245070

Note3: Insulation resistance test condition:

DC Spark-over Voltage	DC Measuring Voltage
70-150V	50V
151-470V	100V

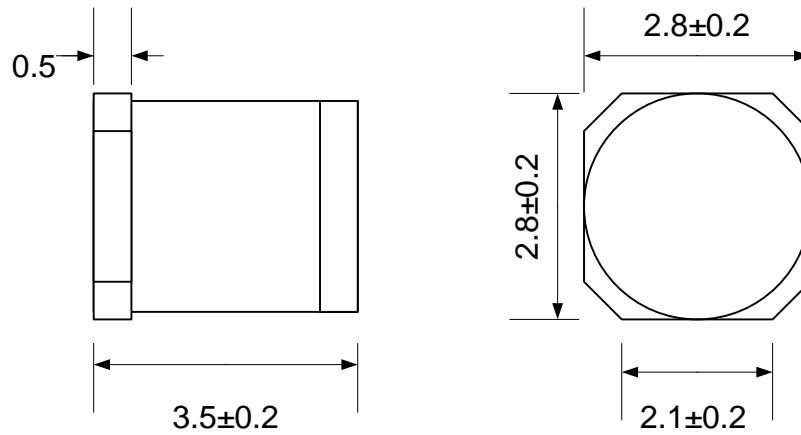
Gas Discharge Tube: GS3 Series

SMD 2-Electrode $\Phi 2.8$ x T3.5 mm Type



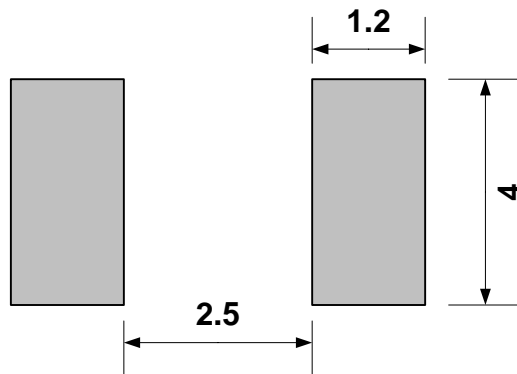
■ Dimension

(Unit: mm)



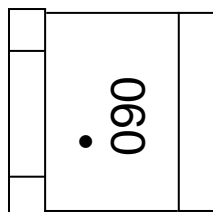
■ Recommended Pad Size

(Unit: mm)



■ Marking

Example: GS32R090MRM



Note: Marking is not limited to its direction of text.

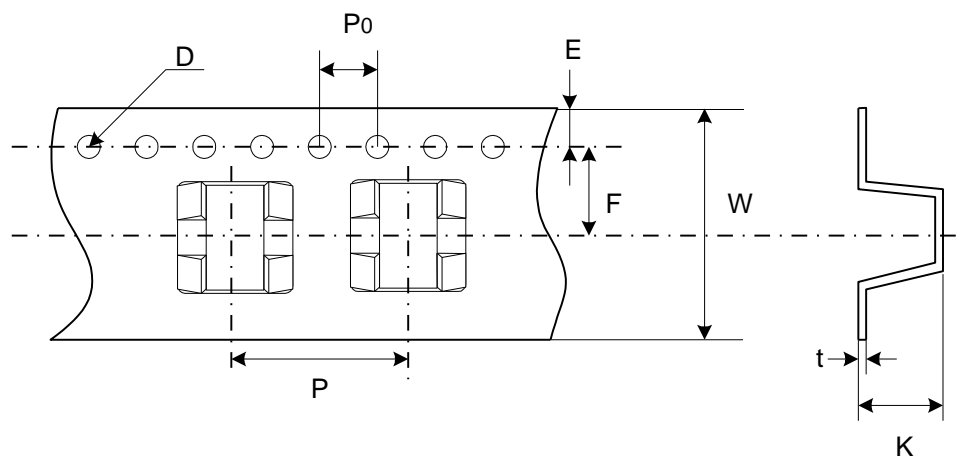
Gas Discharge Tube: GS3 Series

SMD 2-Electrode $\Phi 2.8 \times T3.5$ mm Type



■ Packaging

● Taping

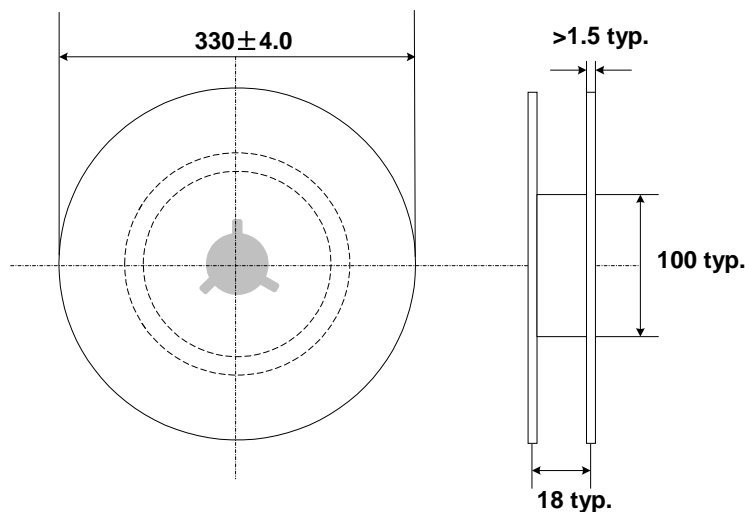


◆ $\Phi 2.8 \times T3.5$ mm type :

Quantity (MPQ): 2500pcs

(Unit: mm)

Item	P	P0	W	F	E	D	K	t
Spec.	8.0	4.0	12.0	5.45	1.75	$\Phi 1.55$	3.2	0.4
Tolerance	± 0.1	± 0.1	± 0.3	± 0.1	± 0.1	± 0.05	± 0.1	± 0.05



■ Warehouse Storage Conditions of Product

● Storage Conditions:

1. Storage Temperature: $-10^{\circ}\text{C} \sim +40^{\circ}\text{C}$
2. Relative Humidity: $\leq 75\% \text{RH}$
3. Keep away from corrosive atmosphere and sunlight.

● Period of Storage: 1 year